

ROKAE

Industrial Robot Series

XB7 Series



More intelligent, more efficient

Product Advantages

Various Choices, Extensive Applications

- The two reach choices of 707/906 mm offer users more flexible and extensive application scenarios

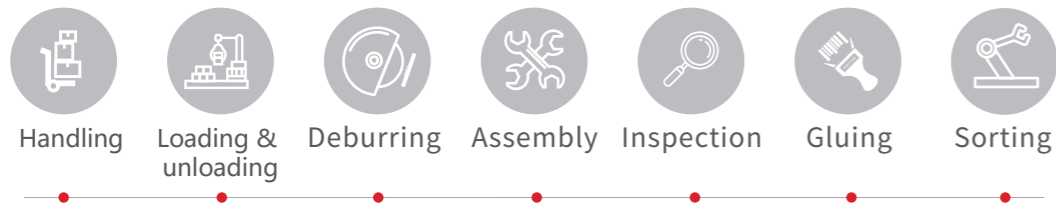
High Precision & High Speed, Efficient Production

- Satisfactory quality and takt time and supreme production efficiency thanks to the incredible stability and best-in-class motion control

Easy to Deploy, Stronger Protection

- Reliability and efficiency made possible thanks to the the supreme IP67 protection rating that conquers even the most extreme environments

Applications



XB7
 • Payload: 7kg
 • Reach: 707mm

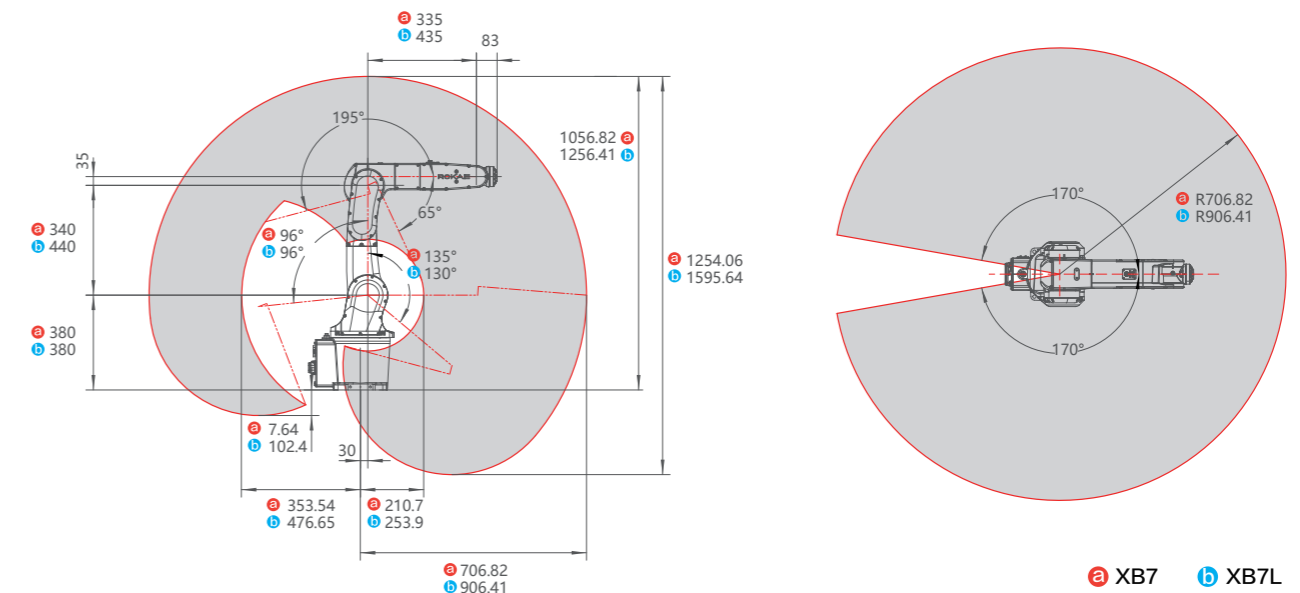
XB7L
 • Payload: 7kg
 • Reach: 906mm

Specifications

Body Specifications

Model	XB7	XB7L
DOF	6	
Reach	707 mm	906 mm
Repeatability	±0.02 mm	±0.03 mm
Payload	7 kg	
Range of motion	Axis 1	-170° to +170°
	Axis 2	-96° to +135°
	Axis 3	-195° to +65°
	Axis 4	-170° to +170°
	Axis 5	-120° to +120°
	Axis 6	-360° to +360°
Maximum speed	Axis 1	440°/s
	Axis 2	355°/s
	Axis 3	440°/s
	Axis 4	480°/s
	Axis 5	450°/s
	Axis 6	705°/s
Operating temperature	0°C to +40°C	
Storage temperature	-10°C to +55°C	
IP rating	IP67	
Mounting method	Floor, Ceiling	
Noise level	≤70 dB(A)	
Weight	About 50 kg	About 52 kg
AIR	4-Φ4, 5bar	
Signal	8 channels (30V, 0.5A)	

Working range



ROKAE



ROKAE Robotics

400-010-8700
www.rokae.com
sales@rokae.com