

ROKAE

Industrial Robot Series

NB25h Series



More intelligent, more efficient

Product Advantages

High Rigidity Design

- Quasi-hypoid-gear for higher joint rigidity, ideal for high-rigidity operational scenarios.

Large Hollow Wrist

- 57mm large hollow diameter for easier cabling and more convenient deployment.

High Precision, Long Lifespan

- Smooth quasi-hypoid gear meshing ensures better precision retention, longer lifespan, and lower maintenance costs.

High Protection Ratings

- IP67-wrist and IP65-body are designed to handle harsh environments with ease.



Applications



Grinding



Welding



Solar panel layout



Handling/loading and unloading



Sorting



Gluing



Deburring



Assembly



Inspection



NB25h-12/2.2



NB25h-25/1.8



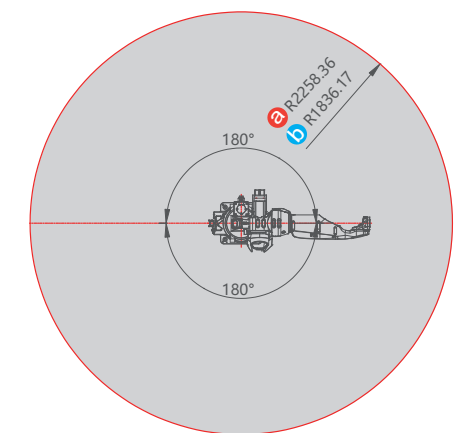
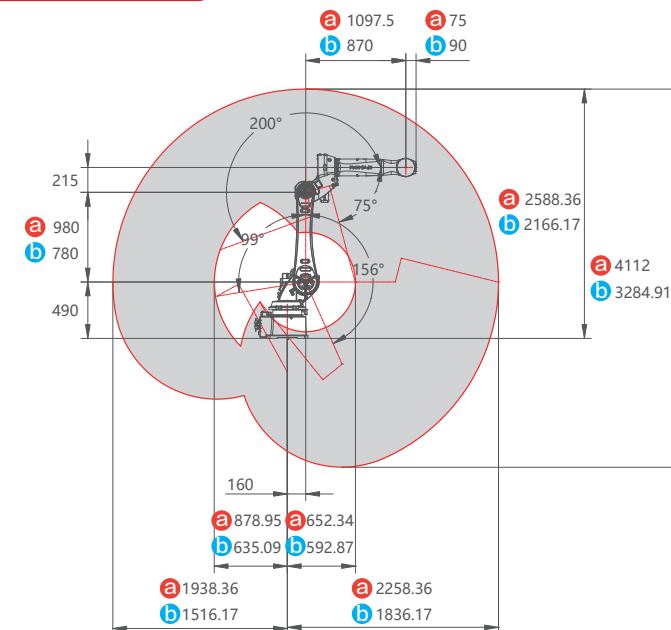
NB25h-35/1.8

Specifications

Body Specifications

Model	NB25h-12/2.2	NB25h-25/1.8	NB25h-35/1.8
DOF	6	6	6
Reach	2,258 mm	1,836 mm	1,836 mm
Repeatability	±0.04 mm	±0.03 mm	±0.04 mm
Payload	12 kg	25 kg	35 kg
Range of motion	Axis 1	-180° to +180°	-180° to +180°
	Axis 2	-99° to +156°	-99° to +156°
	Axis 3	-200° to +75°	-200° to +75°
	Axis 4	-215° to +215°	-215° to +215°
	Axis 5	-225° to +225°	-225° to +225°
	Axis 6	-450° to +450°	-450° to +450°
Maximum speed	Axis 1	200°/s	200°/s
	Axis 2	185°/s	185°/s
	Axis 3	180°/s	180°/s
	Axis 4	430°/s	430°/s
	Axis 5	460°/s	430°/s
	Axis 6	730°/s	730°/s
Operating temperature	0°C to +40°C	0°C to +40°C	0°C to +40°C
Storage temperature	-10°C to +55°C	-10°C to +55°C	-10°C to +55°C
IP rating	IP65 (Wrist IP67)	IP65 (Wrist IP67)	IP65 (Wrist IP67)
Mounting method	Floor, Ceiling	Floor, Ceiling	Floor, Ceiling
Noise level	≤75 dB(A)	≤75 dB(A)	≤75 dB(A)
Weight	About 276 kg	About 272 kg	About 273 kg
AIR	2-Φ12, 8bar	2-Φ12, 8bar	2-Φ12, 8bar
Signal	2-12 channels (30V, 0.5A)	2-12 channels (30V, 0.5A)	2-12 channels (30V, 0.5A)

Working range



a NB25h-12/2.2 b NB25h-25/1.8 NB25h-35/1.8

ROKAE



ROKAE Robotics

400-010-8700
www.rokae.com
sales@rokae.com